

ped with the 1500 N·m hydraulic clamp and the rotational axis (C-axis) is equipped with the 500 N·m air clamp, realizing precision 5-axis processing. The range of workpieces to process has been tremendously improved.

Three hydraulic and pneumatic supply ports are provided as standard, enabling use of jigs only by adding valves and hoses. Auto work changers made by System 3R or Erowa are supported.

This offers flexible options including sizes of workpieces and the number of workpieces to hold.

# Main Specification

Item	Specification
<b>Travel</b>	
X-axis travel	600 mm
Y-axis travel	430 mm
Z-axis travel	460 mm
A-axis travel	-120 ~ +30°
C-axis travel	360° (DDT)
<b>Table</b>	
Table (Pallet) work surface area	φ350 mm
Maximum load mass	100 kg (Uniformly distributed load) ※1
Number of hydraulic ports	3 ports
<b>Spindle</b>	
Spindle taper	BT40 (BIG PLUS ※2)
Spindle speed	100 to 12000 rpm
Number of spindle speeds	2 speeds (Electrical shift)
Spindle motor	22 kW / 117.72 Nm (15 min rating) ※2

Item	Specification
<b>Feed Rate</b>	
Rapid speed X/Y/Z	50 / 50 / 36 m/min
Rapid speed A/C	44.4 / 100 (1000) rpm ※3
<b>ATC</b>	
Maximum tool diameter	φ82 mm ※4
Maximum tool length	300 mm
Maximum tool mass	7 kg
Tool exchange time (tool-to-tool)	1.3 sec
MG capacity	60 tools ※2
<b>Machine Size</b>	
Machine height	3240 mm
Required floor space	3300 mm x 3600 mm ※5
Machine mass	8500 kg

※1 : Max. inertia is 0.9 kg·m<sup>2</sup> for turning function.

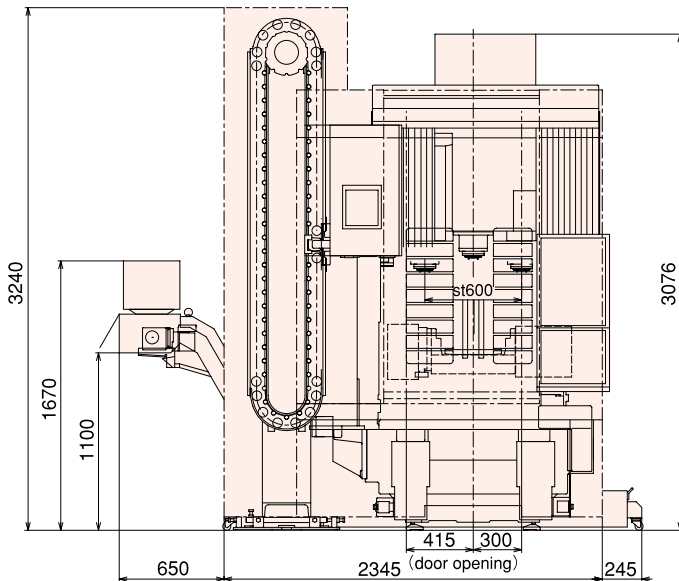
※2 : Option

※3 : ( ) is for turning function mode only

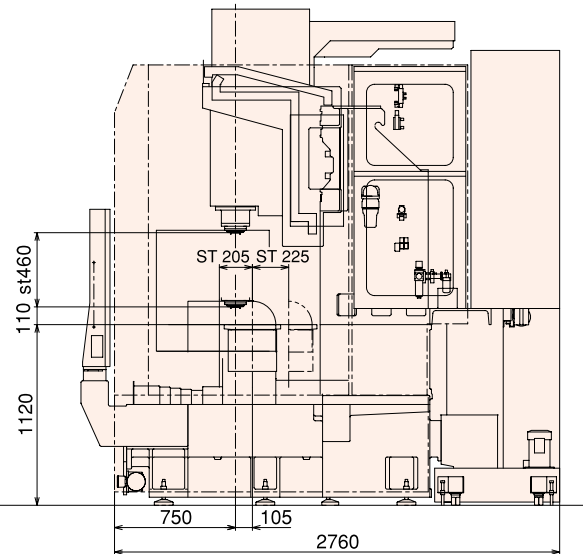
※4 : φ125mm with no tools in adjoining pots.

※5 : Option for the lift-up tyre chip conveyor specification.

Front view



Side view



Floor space

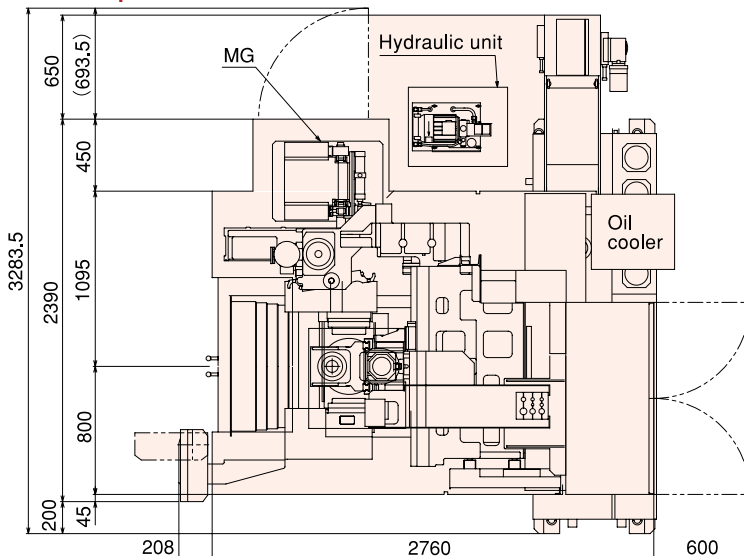
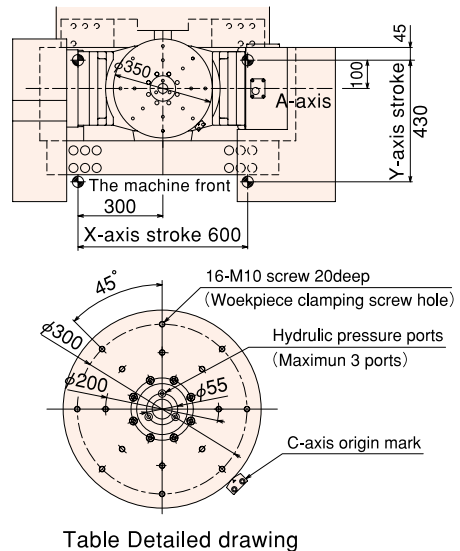


Table Dimensions



Overseas Sales Department

8-10, KITA-ITAMI, ITAMI HYOGO, JAPAN TEL:(81)72-771-1112 FAX:(81)72-772-7592 <http://www.okk.co.jp> E-mail:ovsd@okk.co.jp

**OKK USA CORPORATION**

100 REGENCY DRIVE, GLENDALE HEIGHTS, IL 60139 USA  
TEL:(1)630-924-9000 FAX:(1)630-924-9010  
<http://www.okkcorp.com> E-mail:okkusa@okkcorp.com

**OKK USA WESTERN REGIONAL OFFICE (LA)**

17971 SKY PARK CIRCLE, SUITE D, IRVINE CA 92614 USA  
TEL:(1)949-851-6800 FAX:(1)949-851-6888

**OKK CANADA OFFICE (CANADA)**

7449 AUBURN ROAD, UNIT 1B HORNBY, ONTARIO,  
LOP 1EO, CANADA  
TEL:(1)905-693-9784 FAX:(1)905-693-9503

**OKK EUROPE GmbH**

HANSEMANSTR. 33 41468 NEUSS GERMANY  
TEL:(49)2131-29868-0 FAX:(49)2131-29868-41  
<http://www.okkeurope.com> E-mail:info@okkeurope.com

**THAI OKK MACHINERY CO., LTD.**

KUMTHORN HOLDING BUILDING 2nd FLOOR 897-897/1 RAMA III  
ROAD BANGPONGPANG, YANNAWA, BANGKOK 10120 THAILAND  
TEL:(66)2-683-2160-2 FAX:(66)2-683-2163

**OKK (SHANGHAI) CO., LTD.**

ROOM C303, BUILDING 8, No.1221 HAMI ROAD CHANGNING  
DISTRICT SHANGHAI P.C200335 CHINA  
TEL:021-62700930 FAX:021-62700931  
<http://www.okk.com.cn> E-mail:shanghai@okk.com.cn

**OKK(SHANGHAI) CO., LTD. BEIJING BRANCH**

ROOM 1905, EAST OCEAN CENTER, No.24A JIAN GUO  
MEN STREET CHAO YANG DISTRICT, BEIJING,  
100004 CHINA  
TEL:(86)10-6515-0502/0702 FAX:(86)10-6515-5087  
E-mail:okk\_beijing@okk.com.cn

**OKK CORPORATION SEOUL BRANCH**

1203, E & C DREAM TOWER 8, 327-27, GASAN-DONG,  
GEUMCHEON-GU, SEOUL, 153-023 KOREA  
TEL:(82)2-855-0416 FAX:(82)2-855-0426

The export of this product is subject to an authorization from the government of the exporting country. Check with the government agency for authorization.

OKK reserves the right to change the information contained in this brochure without notice. OKK is not responsible to make changes to previously sold machines or accessories.