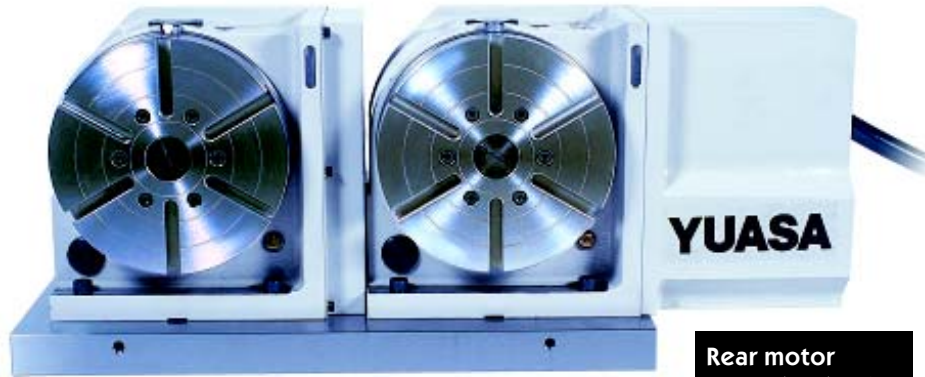




DMNC MULTI-SPINDLE ROTARY TABLE MODELS



UDNC-M1 Controller



Rear motor mounting is also available for standard or special motors.

We offer our Multi-Spindle Rotary models in two, three and four spindles. ■ Excellent for reducing overall machining time. Fewer tool changes, and more "In the Cut" time, producing more parts per hour. ■ Table sizes range from 130mm (5.12") to 280mm (11.02"). ■ High Torque servo drives provide the power necessary to move even three spindle units with ease. ■ Thrust roller bearings allow each spindle to move freely, even when tailstock pressure is applied. ■ Uses only one controller. ■ Same basic features as the single spindle series. ■ Can be supplied as fourth axis upon request with standard AC drives (Fanuc, Yasnac, Mitsubishi, etc.)

CNC ROTARY PRODUCTS

MODEL / DMNC	Inch (mm)								
	130-2	130-3	130-4	170-2	170-3	170-4	220-2	220-3	280-2
SUB TABLE O.D.	5.12(130)			6.69(170)			8.66(220)		11.02(280)
BORE I.D.	1.18(30)			1.65(42)			1.65(42)		1.65(42)
THREADED I.D.	N/A			M36 P 3.0			M36 P.3.0		M36 P 3.0
CENTER HEIGHT	5.12(130)			6.30(160)			7.87(200)		9.06(230)
MAX. RPM	75			41.6			33.3		16.6
SPINDLE TORQUE ft./lbs.(kg/m)	80 (11)	72 (10)	72 (10)	145 (20)	130 (18)	130 (18)	252 (35)	202 (28)	500 (69)
SPINDLE BRAKE TORQUE ft./lbs.(kg/m)	40(5)			110(15)			180(25)		325(45)
RESOLUTION(deg)	0.00075"			0.000625"			0.0005"		0.00025"
MAX LOAD HORIZ. (TABLE POSITION) lbs. (kg)	66(30)			180(80)			260(120)		400(180)
MAX LOAD VERT. (TABLE POSITION) lbs. (kg)	33(15)			90(40)			130(60)		200(90)
POSITIONING ACCURACY	(±) 10 seconds								
THRU HOLE DIA. inch (mm) (SPINDLE)	1.44(36.5)			1.77(45)			2.50(63.5)		3.54(90)
NET WIGHT lbs.(kg)	156 (71)	233 (106)	310 (140)	266 (121)	400 (182)	534 (243)	442 (201)	653 (297)	693 (315)

STANDARD ACCESSORIES

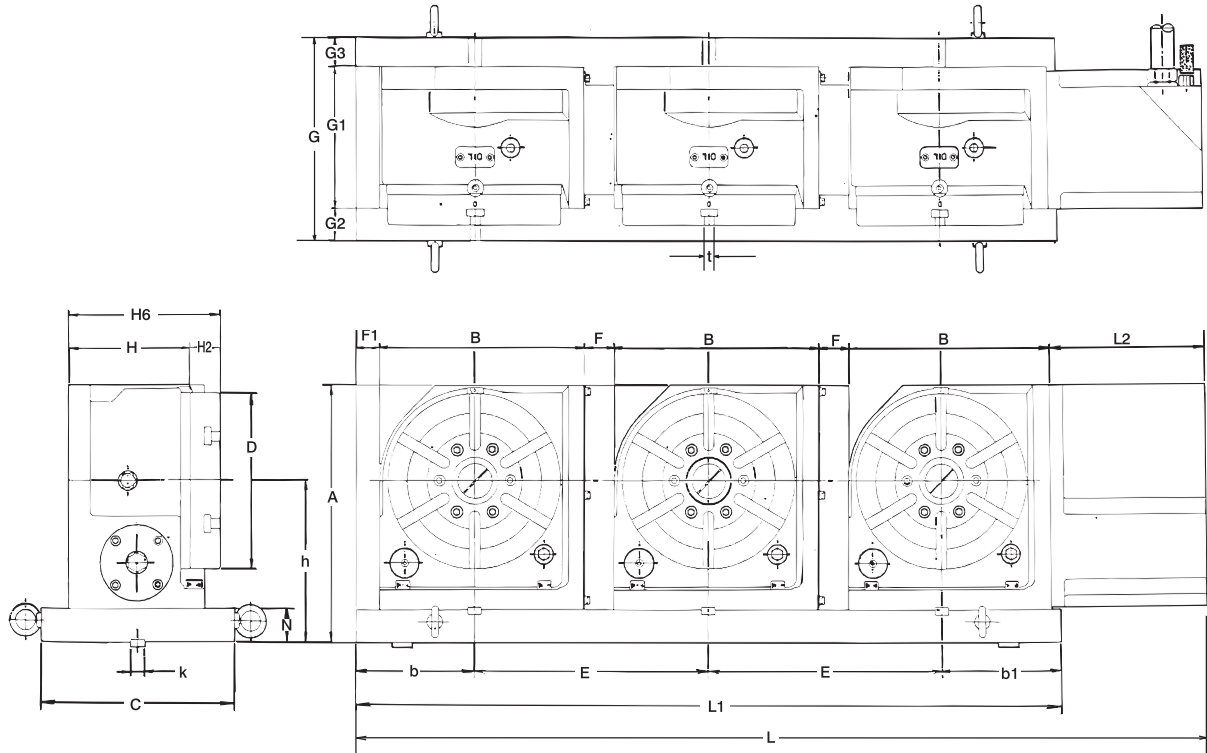
- ▶ UDNC M1 Controller (DMNC)
- ▶ Remote cable (for M-Code interface, 15 ft.)
- ▶ Power Cord: 105~240 VAC, single phase
- ▶ Operators Manual, Warranty Card, Locating Keys
- ▶ T-Slotted Face Plates (removable)

OPTIONAL ACCESSORIES

- ▶ Handwheels (MPG-300)
- ▶ Remote quill switch (RQS-100) for manual mills
- ▶ Collet Chucks, Lathe Chucks, etc.
- ▶ Tailstocks, (manual & air operated)
- ▶ Vise & collet block trunion fixtures
- ▶ PC programming software

**NOTE: See pages 32-37 for detailed information on DMNC accessories.
LEFT HAND motor mounted models available on request.**

OVERALL DIMENSIONAL SPECIFICATIONS



UNIT: inch (mm)

MODEL	A	B	b	b1	C	D	E	F	F1	G	G1	G2	G3	H	H2	H6	h
130-2	8.86 (225)	6.57 (167)	3.94 (100)	3.94 (100)	7.87 (200)	5.12 (130)	7.87 (200)	1.30 (33)	0.91 (23)	7.87 (200)	5.31 (135)	1.38 (35)	1.18 (30)	4.78 (121.5)	1.32 (33.5)	6.10 (155)	5.12 (130)
130-3	8.86 (225)	6.57 (167)	3.94 (100)	3.94 (100)	7.87 (200)	5.12 (130)	7.87 (200)	1.30 (33)	0.91 (23)	7.87 (200)	5.31 (135)	1.38 (35)	1.18 (30)	4.78 (121.5)	1.32 (33.5)	6.10 (155)	5.12 (130)
130-4	8.86 (225)	6.57 (167)	3.94 (100)	3.94 (100)	7.87 (200)	5.12 (130)	7.87 (200)	1.30 (33)	0.91 (23)	7.87 (200)	5.31 (135)	1.38 (35)	1.18 (30)	4.78 (121.5)	1.32 (33.5)	6.10 (155)	5.12 (130)
170-2	10.43 (265)	8.47 (215)	4.92 (125)	4.92 (125)	8.27 (210)	6.69 (170)	9.84 (250)	1.38 (35)	0.98 (25)	8.27 (210)	5.91 (150)	1.18 (30)	1.18 (30)	5.31 (135)	1.38 (35)	6.69 (170)	6.30 (160)
170-3	10.43 (265)	8.47 (215)	4.92 (125)	4.33 (110)	8.27 (210)	6.69 (170)	9.84 (250)	1.38 (35)	0.98 (25)	8.27 (210)	5.91 (150)	1.18 (30)	1.18 (30)	5.31 (135)	1.38 (35)	6.69 (170)	6.30 (160)
170-4	10.43 (265)	8.47 (215)	4.92 (125)	4.33 (110)	8.27 (210)	6.69 (170)	9.84 (250)	1.38 (35)	0.98 (25)	8.27 (210)	5.91 (150)	1.18 (30)	1.18 (30)	5.31 (135)	1.38 (35)	6.69 (170)	6.30 (160)
220-2	12.60 (320)	10.23 (260)	5.91 (150)	5.91 (150)	9.84 (250)	8.66 (220)	11.81 (300)	1.57 (40)	1.18 (30)	9.84 (250)	6.89 (175)	1.57 (40)	1.38 (35)	6.18 (157)	1.50 (38)	7.68 (195)	7.87 (200)
220-3	12.60 (320)	10.24 (260)	5.91 (150)	5.91 (150)	9.84 (250)	8.66 (220)	11.81 (300)	1.57 (40)	1.18 (30)	9.84 (250)	6.89 (175)	1.57 (40)	1.38 (35)	6.18 (157)	1.50 (38)	7.68 (195)	7.87 (200)
280-2	14.96 (380)	12.60 (320)	7.09 (180)	7.09 (180)	10.63 (270)	11.02 (280)	14.17 (360)	1.57 (40)	1.18 (30)	10.63 (270)	7.68 (195)	1.57 (40)	1.38 (35)	6.97 (177)	1.69 (43)	8.66 (220)	9.06 (230)

UNIT: inch (mm)

MODEL	k	L	L1	L2	N	t
130-2	0.70 (18)	22.24 (565)	15.75 (400)	6.89 (175)	0.98 (25)	0.39 (10)
130-3	0.70 (18)	31.10 (790)	23.62 (600)	7.87 (200)	0.98 (25)	0.39 (10)
130-4	0.70 (18)	38.96 (989)	31.49 (800)	7.87 (200)	0.98 (25)	0.39 (10)
170-2	0.70 (18)	27.17 (690)	19.68 (500)	7.87 (200)	1.18 (30)	0.47 (12)
170-3	0.70 (18)	37.81 (960)	28.93 (735)	8.66 (220)	1.18 (30)	0.47 (12)
170-4	0.70 (18)	39.19 (995)	38.77 (985)	8.66 (220)	1.18 (30)	0.47 (12)
220-2	0.70 (18)	31.10 (790)	23.62 (600)	7.87 (200)	1.57 (40)	0.47 (12)
220-3	0.70 (18)	42.91 (1090)	35.44 (900)	7.87 (200)	1.57 (40)	0.47 (12)
280-2	0.70 (18)	35.82 (910)	28.35 (720)	7.87 (200)	1.57 (40)	0.47 (12)

NOTE: For controller features see page #9. For rotary table (body) features see page #8.

CNC ROTARY PRODUCTS